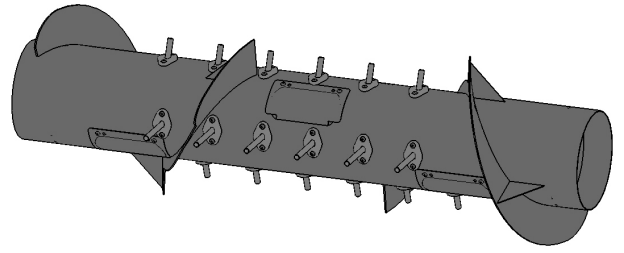
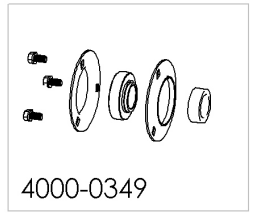
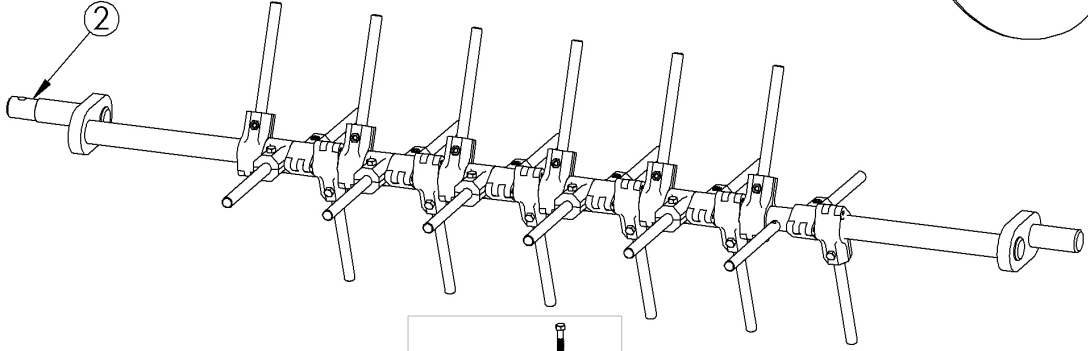
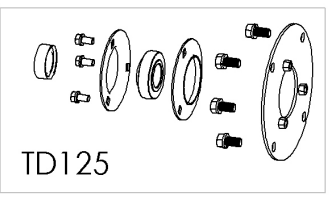
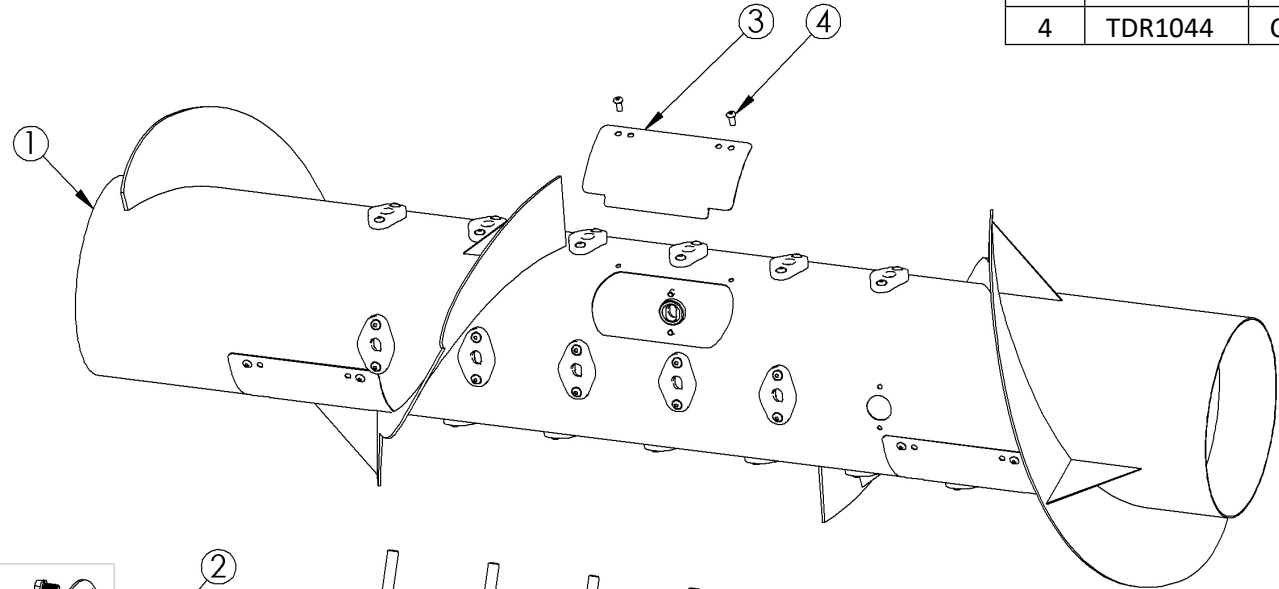


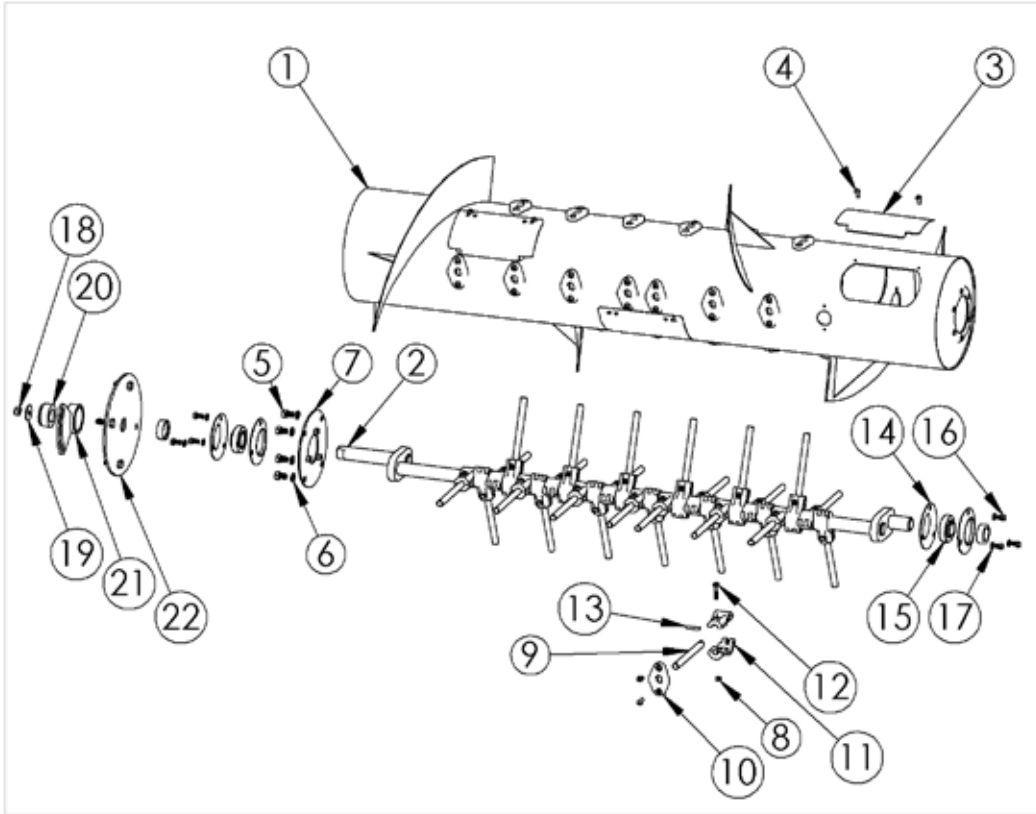
HONEYBEE 94C-SP36

300 X 1800

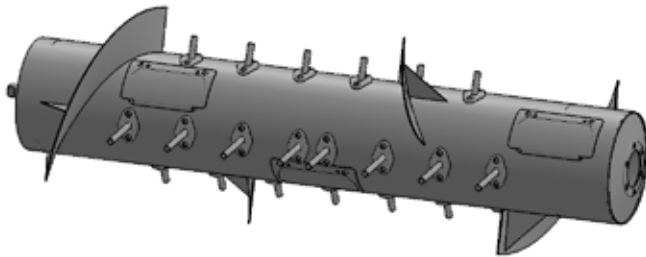
Item	Part Number	Description	Qty.
1	TDR115	SHELL	1
2	TDR116	CRANKSHAFT	1
3	TDR1038	SERVICE COVER	3
4	TDR1044	CAPSCREW	6



MACDON CA20

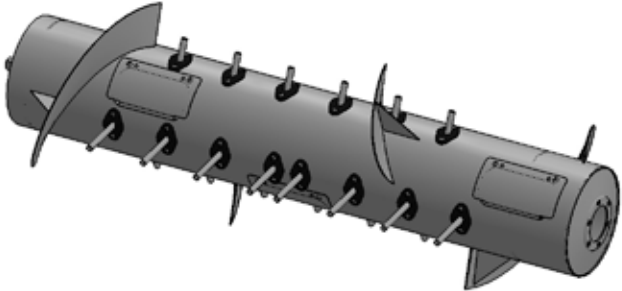
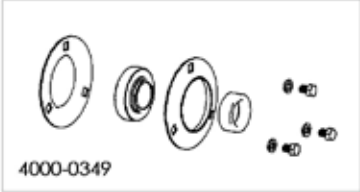
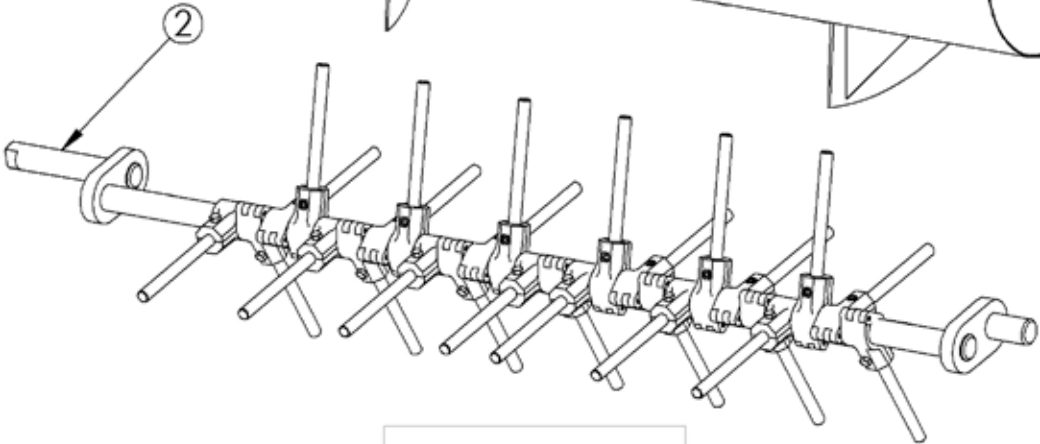
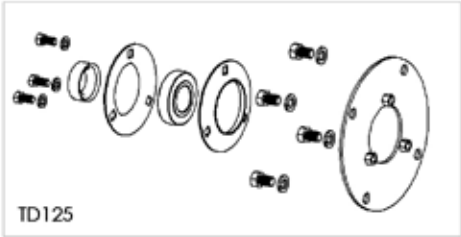
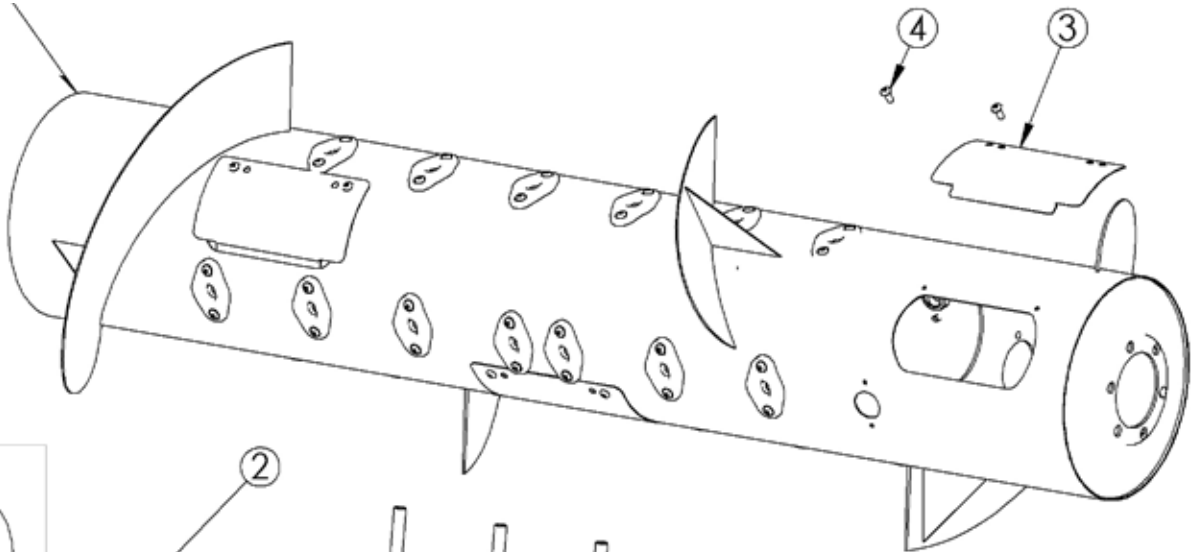


Item	Part Number	Description	Qty.
1	TDR101	SHELL	1
2	TDR102	CRANKSHAFT	1
3	TDR1038	SERVICE COVER	3
4	TDR1044	CAPSCREW	56
5	TDR1090	1/2" x 1" UNC BOLT	4
6	TDR1091	1/2" SPRING WASHER	4
7	TDR1005	BEARING LOOSE PLATE	1
8	TDR1046	8mm NYLOC NUT	25
9	TDR4000-0119-195	FINGER	25
10	TDR1043	FINGER GUIDE	25
11	TDR4000-0120	FINGER CLAMP	25
12	TDR1045	8mm x 45 BOLT 1.25 PITCH	25
13	TDR1051	6.5mm ROLL PIN	25
14	TDR1042	FLANGE	4
15	TDR1092	BEARING	2
16	TDR1048	3/8" x 1" BOLT	6
17	TDR1049	3/8" SPRING WASHER	6
18	TDR1019	1/2" UNC NYLOC NUT	1
19	TDR1018	1/2" FLAT WASHER	1
20	TDR1014	LOCKING COLLAR	1
21	TDR1017	TIMING PLATE	1
22	TDR1016	CRANK ENDPLATE	1



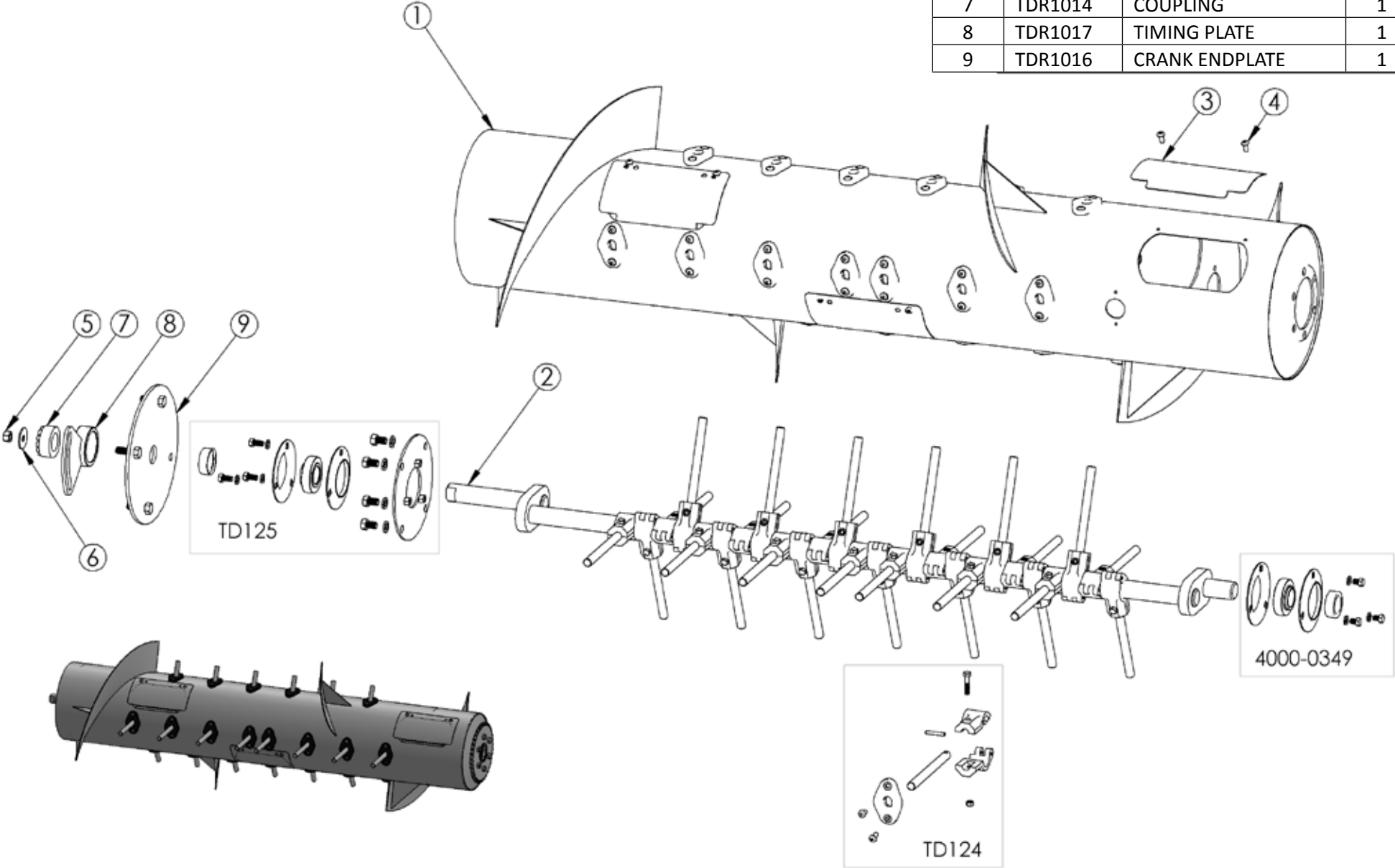
MODEL TDR300X1675MAC MACDON

Item	Part Number	Description	Qty.
1	TDR101	SHELL	1
2	TDR102	CRANKSHAFT	1
3	TDR1029	SERVICE COVER	3
4	TDR1044	CAPSCREW	6



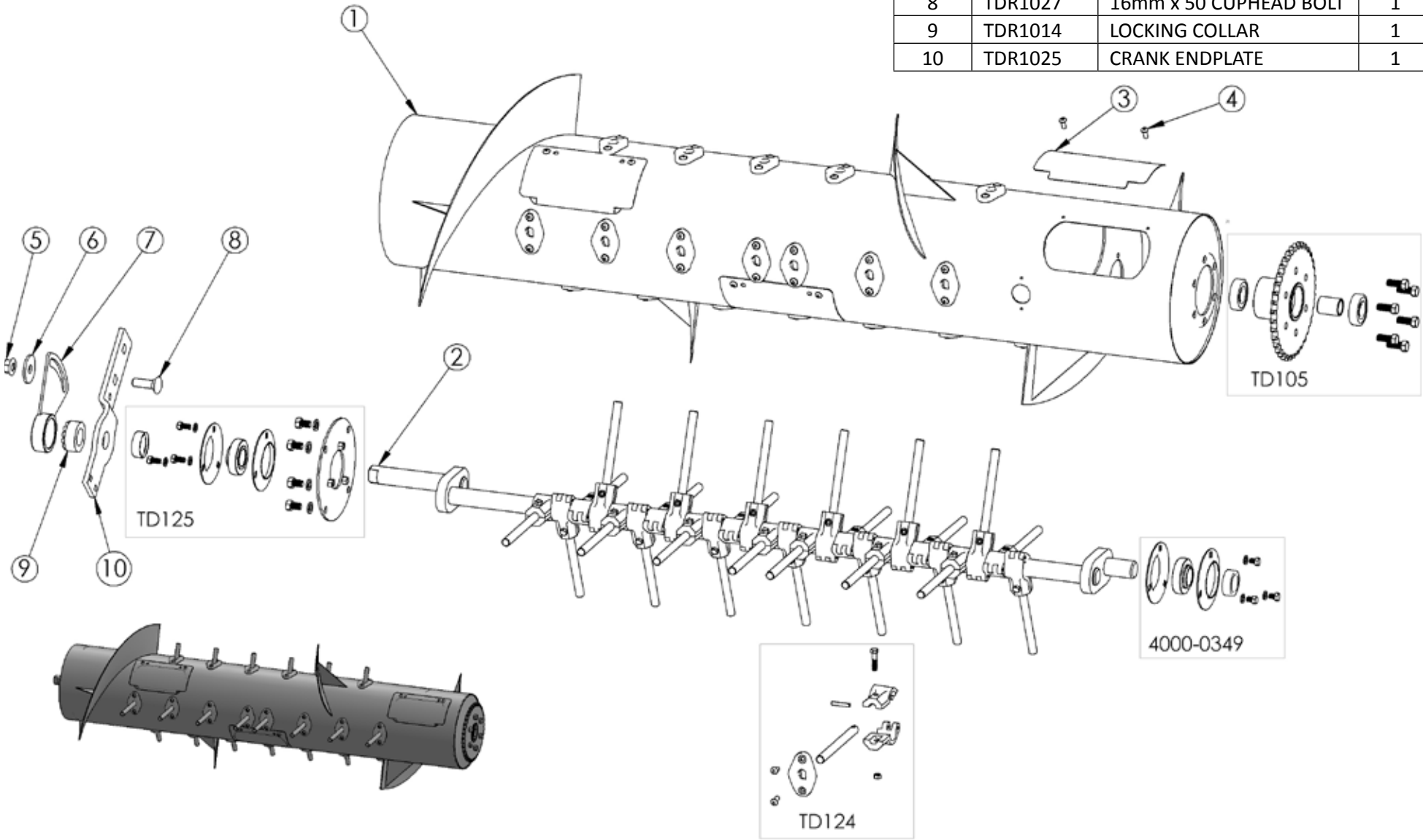
MODEL TDR300X1675 MACDON CA20

Item	Part Number	Description	Qty.
1	TDR101	SHELL	1
2	TDR102	CRANKSHAFT	1
3	TDR1038	SERVICE COVER	3
4	TDR1044	CAPSCREW	6
5	TDR1019	1/2" UNC NYLOC NUT	1
6	TDR1018	1/2" FLAT WASHER	1
7	TDR1014	COUPLING	1
8	TDR1017	TIMING PLATE	1
9	TDR1016	CRANK ENDPLATE	1

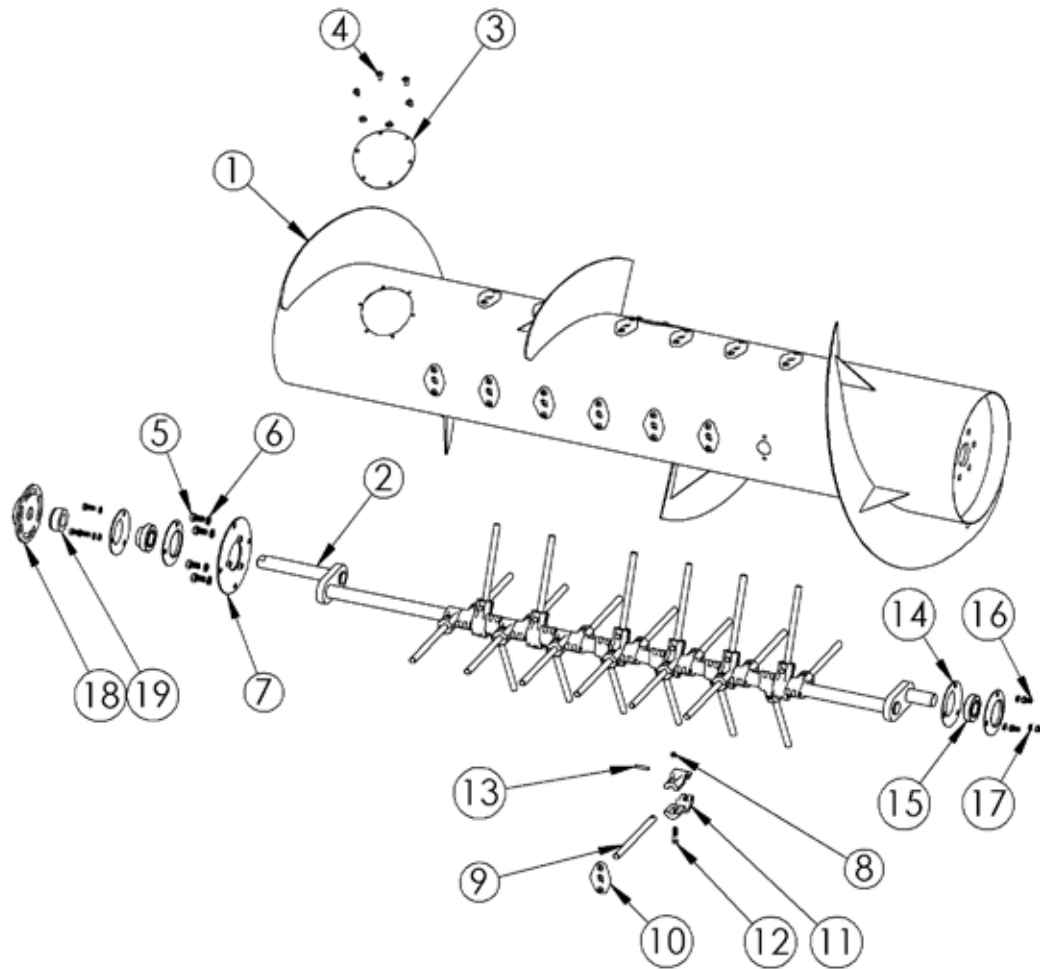


MODEL TDR300X1675 MACDON CA25

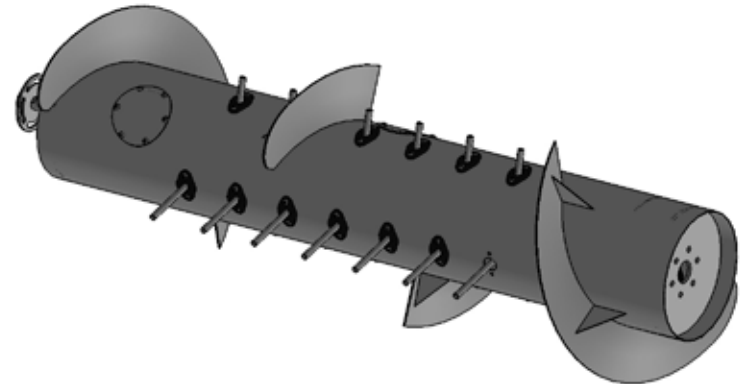
Item	Part Number	Description	Qty.
1	TDR101	SHELL	1
2	TDR102	CRANKSHAFT	1
3	TDR1038	SERVICE COVER	3
4	TDR1044	CAPSCREW	6
5	TDR1029	16mm FLANGE NUT	1
6	TDR1028	16mm FLAT WASHER	1
7	TDR1026	TIMING PLATE	1
8	TDR1027	16mm x 50 CUPHEAD BOLT	1
9	TDR1014	LOCKING COLLAR	1
10	TDR1025	CRANK ENDPLATE	1



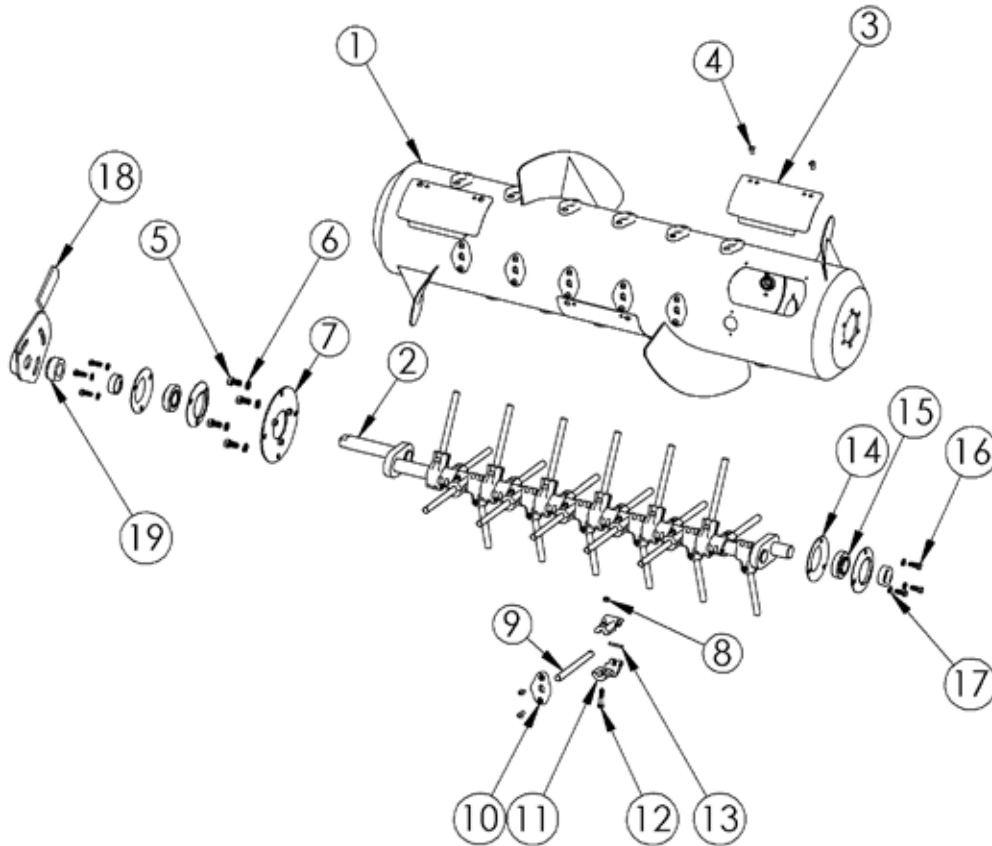
CASE NEW HOLLAND



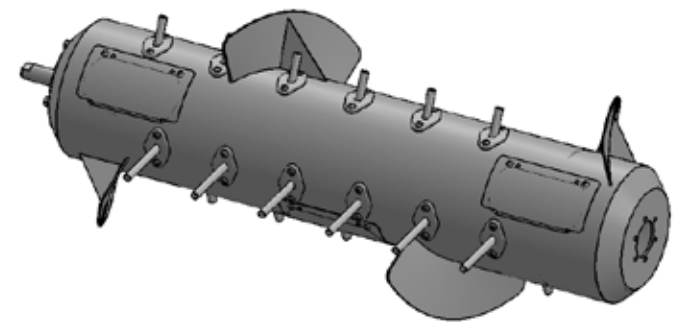
Item	Part Number	Description	Qty.
1	TDR109	SHELL	1
2	TDR110	CRANKSHAFT	1
3	TDR1038	SERVICE COVER	3
4	TDR1044	CAPSCREW	56
5	TDR1090	1/2" x 1" UNC BOLT	4
6	TDR1091	1/2" SPRING WASHER	5
7	TDR1005	BEARING LOOSE PLATE	1
8	TDR1046	8mm LOCK NUT	25
9	TDR4000-0119-240	FINGER	25
10	TDR1043	FINGER GUIDE	25
11	TDR4000-0120	FINGER CLAMP	25
12	TDR1045	8mm x 45 BOLT, 1.25 PITCH	25
13	TDR1051	6.5mm ROLL PIN	25
14	TDR1042	FLANGE	4
15	TDR1092	BEARING	2
16	TDR1048	3/8" x 1" UNC BOLT	6
17	TDR1049	3/8" SPRING WASHER	6
18	TDR1066	TIMING PLATE	1
19	TDR1014	LOCKING COLLAR	1



JD 640D AUGER ASSEMBLY

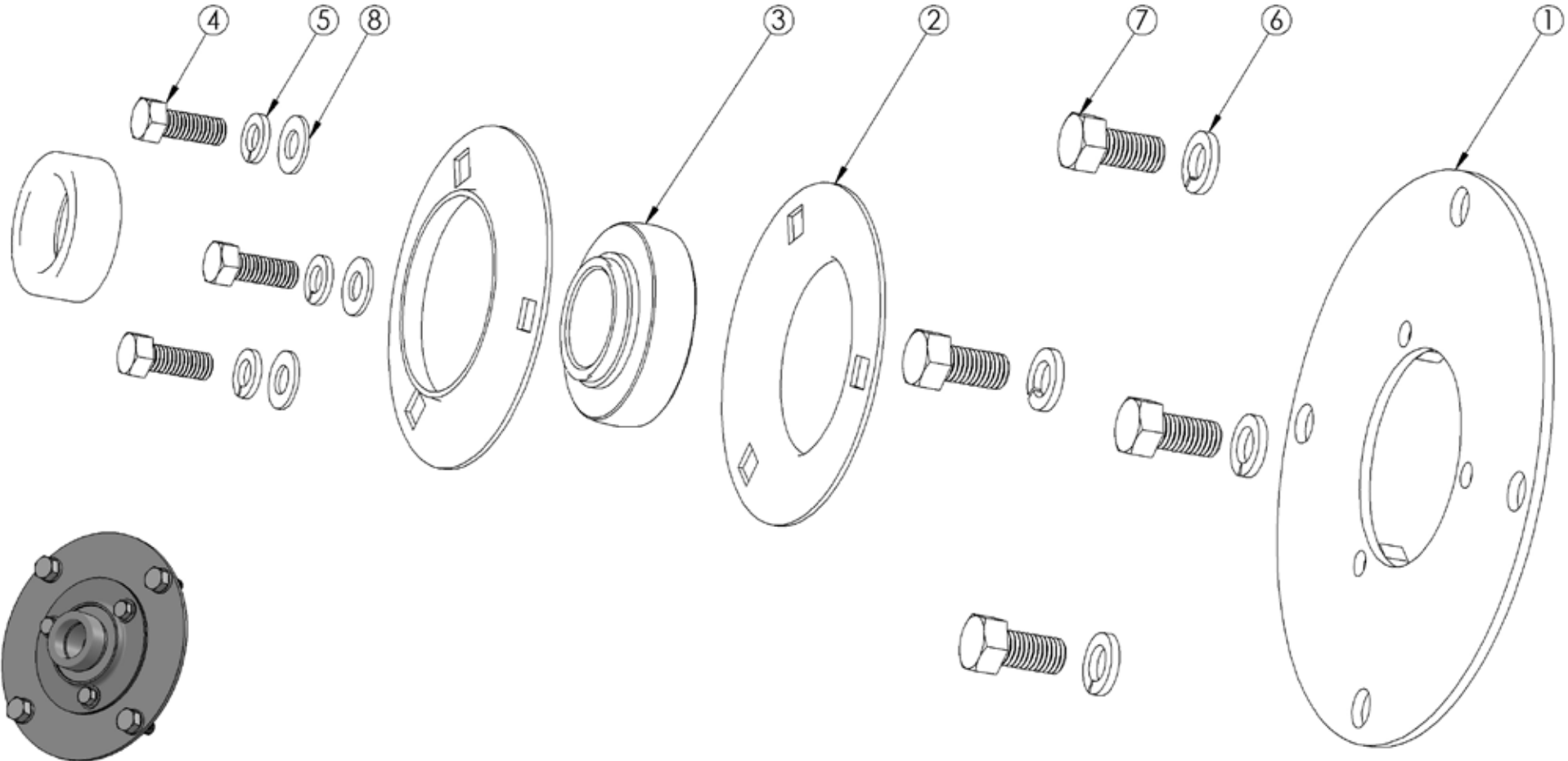


Item	Part Number	Description	Qty.
1	TDR112	SHELL	1
2	TDR113	CRANKSHAFT	1
3	TDR1038	SERVICE COVER	3
4	TDR1044	CAPSCREW	52
5	TDR1090	1/2" x 1" UNC BOLT	4
6	TDR1091	1/2" SPRING WASHER	4
7	TDR1005	BEARING LOOSE PLATE	1
8	TDR1046	8mm NYLOC NUT	23
9	TDR4000-0119-195	FINGER	23
10	TDR1043	FINGER GUIDE	23
11	TDR4000-0120	FINGER CLAMP	23
12	TDR1045	8mm x 45 BOLT, 1.25 PITCH	23
13	TDR1051	6.5mm ROLL PIN	23
14	TDR1042	FLANGE	4
15	TDR1092	BEARING	2
16	TDR1048	3/8" x 1" BOLT	6
17	TDR1049	3/8" SPRING WASHER	6
18	TDR1074	TIMING PLATE	1
19	TDR1014	LOCKING COLLAR	1



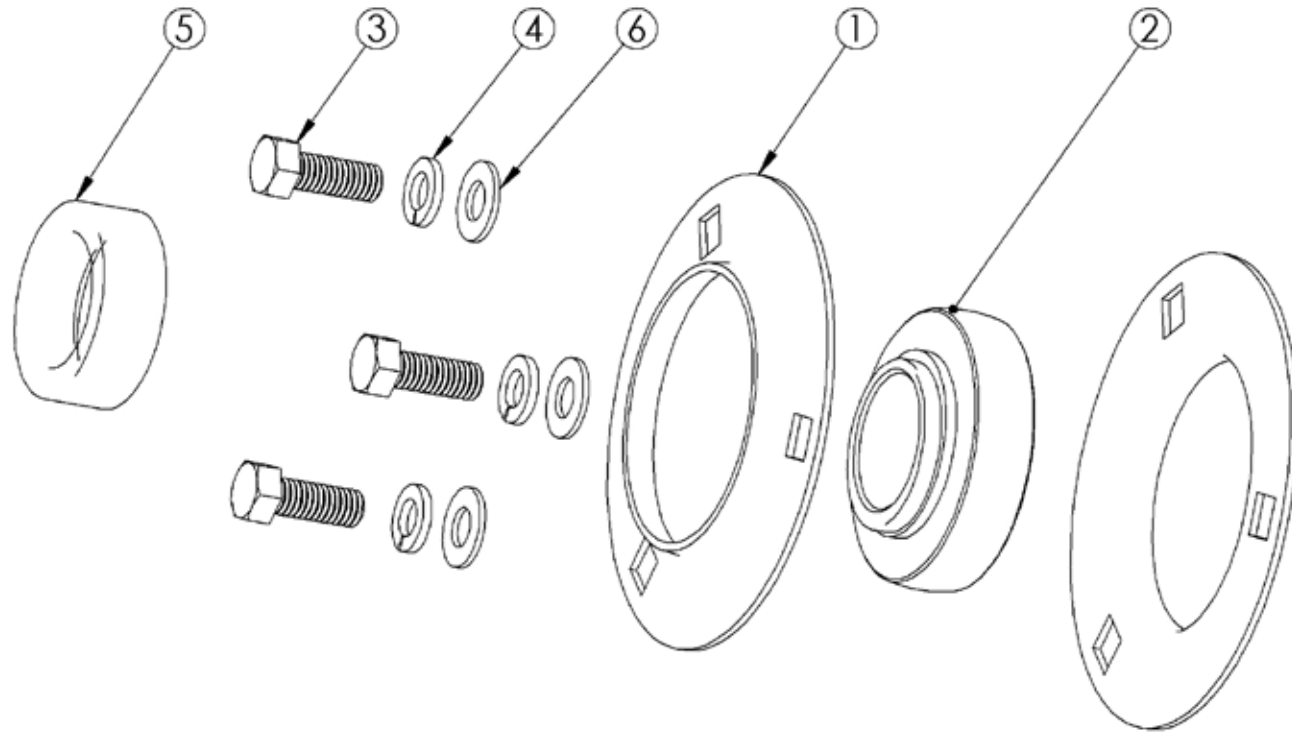
MACDON BEARING LOOSE PLATE ASSEMBLY

Item	Part Number	Description	Qty.
1	TDR1005	BEARING LOOSE PLATE	1
2	TDR1042	FLANGE	2
3	TDR1092	BEARING	1
4	TDR1048	3/8" X 1" UNC BOLT	3
5	TDR1049	3/8" SPRING WASHER	3
6	TDR1091	1/2" SPRING WASHER	4
7	TDR1090	1/2" X 1" UNC BOLT	4
8	TDR1050	3/8" FLAT WASHER	3



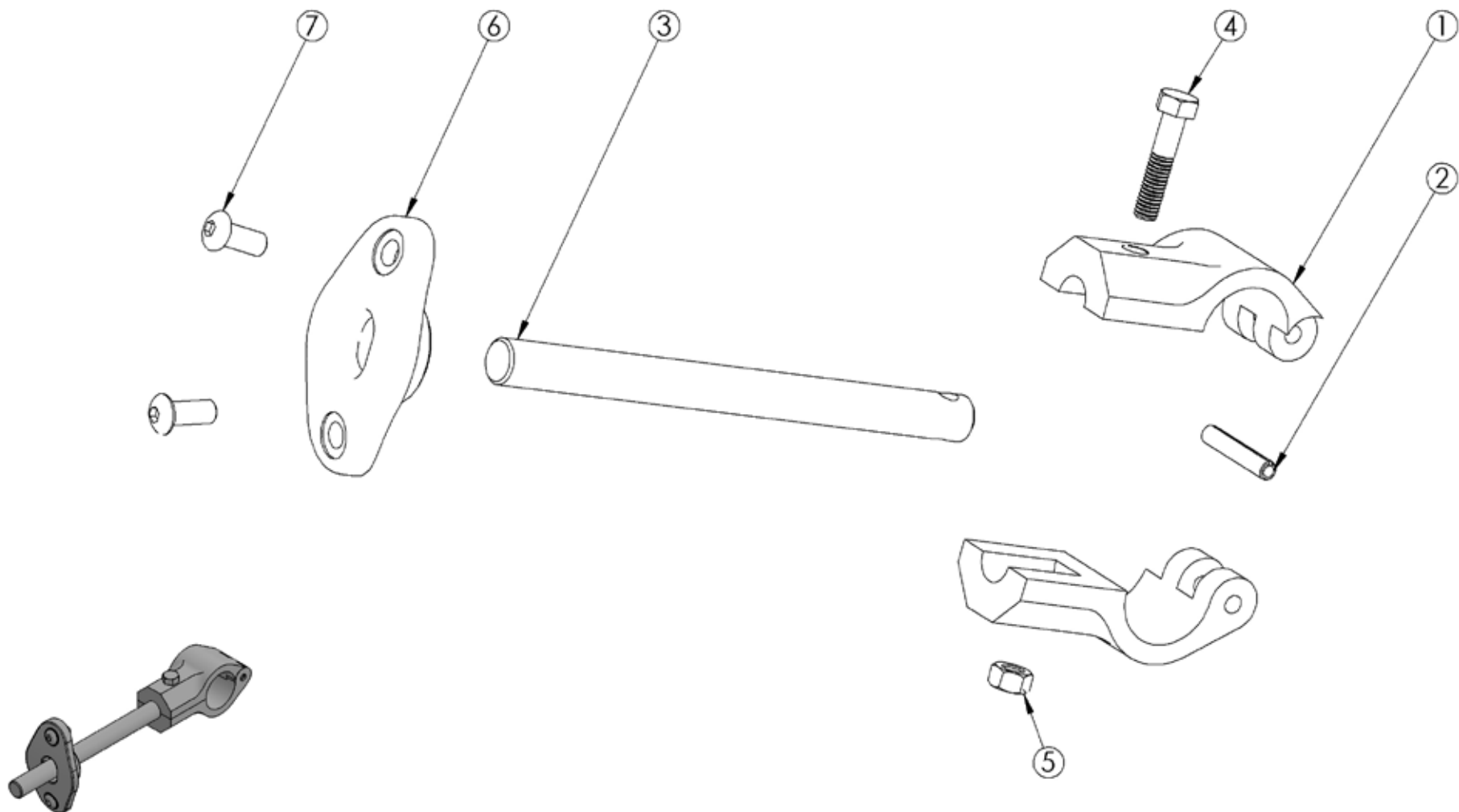
MACDON CRANK BEARING ASSEMBLY 4000-0349

Item	Part Number	Description	Qty.
1	TDR1042	FLANGE	2
2	TDR1092	BEARING	1
3	TDR1048	3/8" x 1" UNC BOLT	3
4	TDR1049	3/8" SPRING WASHER	3
5	TDR1041	BEARING LOCKING CAP	1
6	TDR1050	3/8" FLAT WASHER	3



MACDON FINGER ASSEMBLY

Item	Part Number	Description	Qty.
1	TDR4000-0120	FINGER CLAMP	1
2	TDR1051	6.5mm ROLL PIN	1
3	TDR4000-0119-195	FINGER	1
4	TDR1045	8mm x 45 BOLT 1.25 PITCH	1
5	TDR1046	8mm NYLOC NUT	1
6	TDR1043	FINGER GUIDE	1
7	TDR1044	HEX HEAD CAP SCREW	2



MACDON SPROCKET ASSEMBLY

Item	Part Number	Description	Qty.
1	TDR1032	37T SPROCKET	1
2	TDR1035	BEARING SPACER	1
3	TDR1036	BEARING	2
4	TDR1093	1/2" x 1-1/4" UNC BOLT	6

